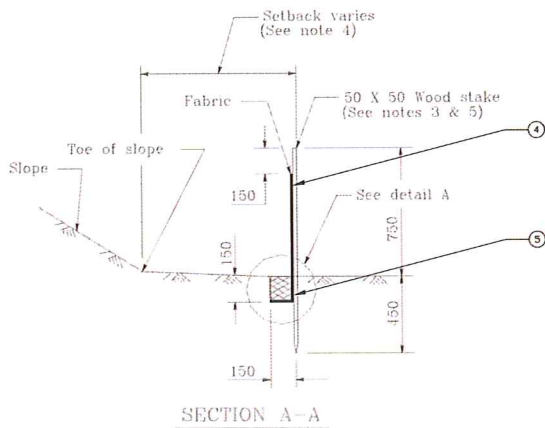




1 EROSION CONTROL LAYOUT

Scale: NTS



2 SILT FENCING DETAIL

Scale: NTS

**GENERAL NOTES**

- ROTO-TILL AND BASIC PREPARATION FOR NEW SEEDING OF FIELD. REPAIR/FILL AREAS WHERE COUNTY PREVIOUSLY CREATED LOW AREAS TO MITIGATE PONDING.
- NO EROSION/SILTATION CONTROL FOR PIPELINE TRENCHING. PIPE WILL BE INSTALLED BEHIND TRENCHER, AND BACKFILLED IMMEDIATELY. 1560LF OF TRENCH, 18" DEEP X 4" WIDE, APPROX. 28.9 CY MATERIAL EXCAVATED FOR PIPELINE, IN MOW STRIP OF EXISTING AC PATHWAY.
- NO GRADING MAY TAKE PLACE BETWEEN OCTOBER 15TH AND APRIL 15TH WITHOUT A WINTER GRADING PERMIT.
- EROSION CONTROL MEASURES SHALL BE IN PLACE BETWEEN OCTOBER 15TH AND APRIL 15TH, OR WHEN RAIN IS FORECASTED.
- SOILS TRACKED ON ADJACENT STREETS SHALL BE CLEANED UP AT THE END OF EACH WORK DAY.
- INACTIVE SOIL STOCKPILES SHALL BE COVERED. ACTIVE STOCKPILES SHALL BE COVERED PRIOR TO A FORECASTED RAIN EVENT.
- THE EROSION CONTROL PLAN SHALL BE RE-EVALUATED AND ADJUSTED ACCORDINGLY AS THE SITE CHANGES AND AFTER RAIN EVENTS.
- EROSION CONTROL MEASURES SHALL BE MAINTAINED THROUGHOUT THE RAINY SEASON.

**KEY NOTES**

1	NEW RESTROOM
2	EXISTING SOCCER FIELD BOUNDARY. 60,000SF OR 1.36 ACRES OF AREA.
3	LOW POINT OF FIELD, PROVIDE SILT FENCING IN THIS LOCATION.
4	SILT FENCE FABRIC IN METRIC UNITS.
5	BACKFILL, 6" WIDE X 6" DEEP MINIMUM.
6	EXISTING SWALE. NO SILT FENCING IN THIS LOCATION.
7	LOCATION OF SILT FENCING.

DESIGNED BY:	DATE:	11/25/2013
DRAWN BY:	QUANTIFICATION NO.:	10/2013 / 10/2013-P
SUBMITTED BY:	CONTRACT NO.:	
PROJECT SCALE:	PLOT DATE:	
AS NOTED:	FILE NUMBER:	
SCALE:	FILE NAME:	

NO.	DATE	REVISION

MESA PARK IRRIGATION & RESTROOM PROJECT  
 BURLING, CA 94904

CONCEPTUAL DESIGN DOCUMENTS  
 EROSION CONTROL SHEET

PROFESSIONAL SEAL

SHEET IDENTIFICATION  
**C2**  
 SHEET 2 OF 1